



Microtex Electronics

Pulsar-PIC2 Wireless Microcontroller Unit



CPU's Supported:

Microchip - PIC18F6622 series only

Memory:

Ramtron 256K Non-volatile memory. Memory auto-saves RAM contents to EEPROM upon power failure or software save. Used for NV storage of readings.

I/O Capabilities:

Digital I/O – The Pulsar-PIC2 has 16 bits of user-configurable I/O. These can be set to input or output, or both. 24mA Drive.

Analog I/O – The Pulsar-PIC2 has 5 channels of Analog Input (0 to +5v), and three channels of signal-conditioned Analog inputs. These are geared for Direct Sensor Inputs. It also has one output DAC (0 to +5V)

Port I/O – All port I/O are useable via separate connector

Power I/O – The Pulsar-PIC has four channels of PWM capable 1Amp MOSFET driven connections.

Serial – The Pulsar-PIC has two full Hardware UARTs

Display – The Pulsar-PIC has 8 general purpose LED's and universal LCD character display connector.

ETC:

900Mhz – The Pulsar-PIC has a built-in 900Mhz broadband networkable wireless link, capable of 10 mile range.

Regulator – The Pulsar-PIC has on-board regulation. In addition to being non-volatile, it is also filters unwanted power fluctuations.

- Industrial Temperature Grade -40° to +85 ° C
- Universal board supports the Microchip PIC CPU
- Non-Volatile Memory, Auto-Save Function. Memory is brown-out proof. Settings and User data will NOT be lost during power failure or brownout event.
- Self-regulated, Impervious to power fluctuations.
- Analog Inputs and Digital I/O. Three Analog channels are configured for full signal conditioning. Five are general purpose 0-5V analog input channels. One output DAC.
- Reset switch and user definable Pushbutton
- Serial Interface for Microcontroller to communications interface. One Spare RS232 or RS485 connection
- 8 Individually addressable LED indicators.
- Manual CPU readable analog potentiometer input.
- Optional Control and Relay modules
- Designed for modern compilers for fast development

Expansion:

PUL-PNL - Front panel with Display/Pushbuttons

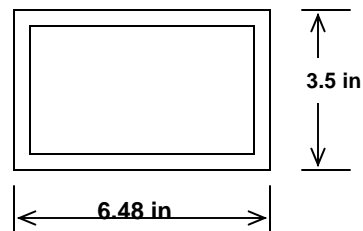
PUL-RLY – 8-Channel relay bank, 7A contacts

PUL-SAT1 – Satellite Modem, Delayed Time

PUL-SAT2 – Satellite Modem, Real-time

PUL-CDPD –CDPD Wireless IP Radio Link

Physical:



Flexible • Rugged Environments • Proven Reliability

For More Information:

Microtex Electronics, Inc.
 3400 North Central Expressway, Ste 256
 Richardson, TX, 75080 U.S.A.
 Tel: (972) 479-1011
 Fax: (972) 479-1015
www.microtexelectronics.com

Proudly Made in the USA



©2006 Microtex Electronics LLC.. All information, specifications, and descriptions contained herein are subject to change without prior notice.

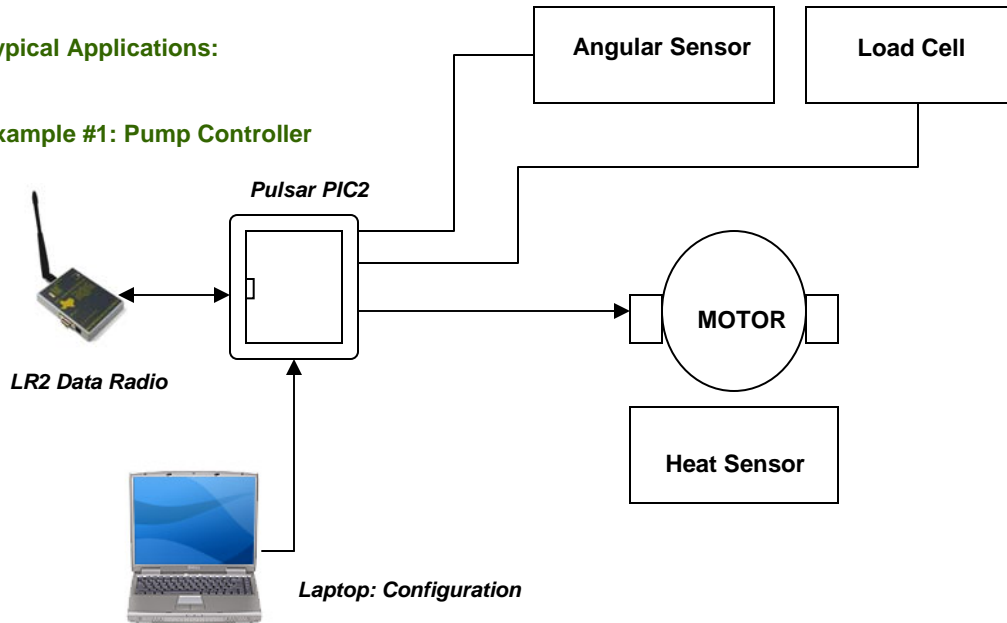


Microtex Electronics

Pulsar-PIC2 Wireless Microcontroller Unit

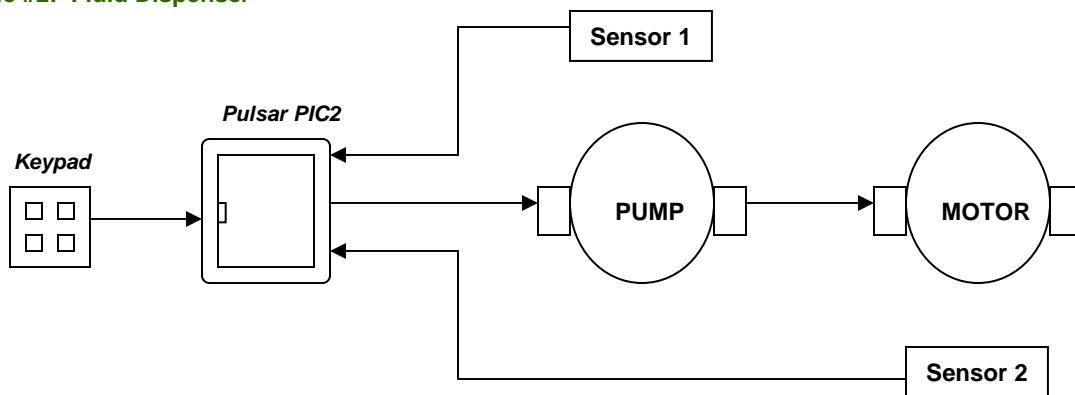
Typical Applications:

Example #1: Pump Controller



Typical Applications:

Example #2: Fluid Dispenser



For More Information:

Microtex Electronics, Inc.
 3400 North Central Expressway, Ste 256
 Richardson, TX, 75080 U.S.A.
 Tel: (972) 479-1011
 Fax: (972) 479-1015
www.microtexelectronics.com

Proudly Made in the USA



©2006 Microtex Electronics LLC.. All information, specifications, and descriptions contained herein are subject to change without prior notice.