



MICROTEX ELECTRONICS, INC.

# LR2 – Wireless Link

## 900Mhz Networkable Wireless Access link



- Small, User-Friendly Package
- Reliable Wireless Technology
- Works on Free 900Mhz ISM Band
- Programmable 0 to 20 Mile Range
- Unique IP Address for each device
- True, Two-way communications



### Data Collection From Where You Need It

The Microtex Electronics **LR2 Radio Module** is an economical, small packaged wireless transceiver that allows the remote collection of virtually any type of data. The **LR2** is a two-way communication device that allows on-demand transmission from wherever or whatever you need to collect data from. Imagine instantaneous data reads in less than 1 second!

### Smart Technology for Reliable Data Transmission

The **LR2** utilizes *spread spectrum* technology to insure accurate and reliable data collection. Spread spectrum technology allows for interference-free transmission between the device and the collection point. It is not only reliable, but cost effective as well.

### Operates on Free Public 900Mhz ISM Band

The **LR2** operates on Free Public 900Mhz ISM Band. **NO** data carrier service is required, **saving money** invested over time. The **LR2 Radio Module has user programmable output power**. So whether you need a fraction of a mile, or 20 miles, the range is up to you. Whether your needs are for small amounts of data to be transmitted intermittently or continuous streams of data, the **LR2** can efficiently handle the job reliably. Built in DES Encryption also insures that your data is safe.

### Internet Based Data Collection

The **LR2** is true cable replacement product with its own unique *IP Address*. Data is collected via a wireless network and transferred to any collection point via the Internet. Smart Client – Server technology allows you to build small secure networks, or Large Distributed topologies. The data can be downloaded in any format to meet your needs.

### Simplified Connectivity to Fit Your Needs

The **LR2 Radio Module** offers easy connection to any system. With a built in RS-232 port, the **LR2** easily and simply connects to whatever you need to monitor, collect data from, or communicate with.

### Microtex and its Family of Wireless Communications Products

Microtex Electronics is a group of industry professionals that design, manufacture, and supply leading-edge technology to meet today and tomorrow's data collection needs. Microtex offers a broad range of off-the-shelf and customized solutions for meter data collection, Utility Control, telemetry applications, and much more. Microtex can supply the total system package, solutions for a legacy systems, and Systems Engineering. Call Microtex today to see how we can help you streamline and improve your data collection systems.

Wireless • IP Based • Proven Reliability

### For More Information:

Microtex Electronics, Inc.  
3400 North Central Expressway, Ste 256  
Richardson, TX, 75080 U.S.A.  
Tel: (972) 479-1011  
Fax: (972) 479-1015  
[www.microtexelectronics.com](http://www.microtexelectronics.com)

Proudly Made in the USA



©2004 Microtex Electronics, Inc.. All information, specifications, and descriptions contained herein are subject to change without prior notice.



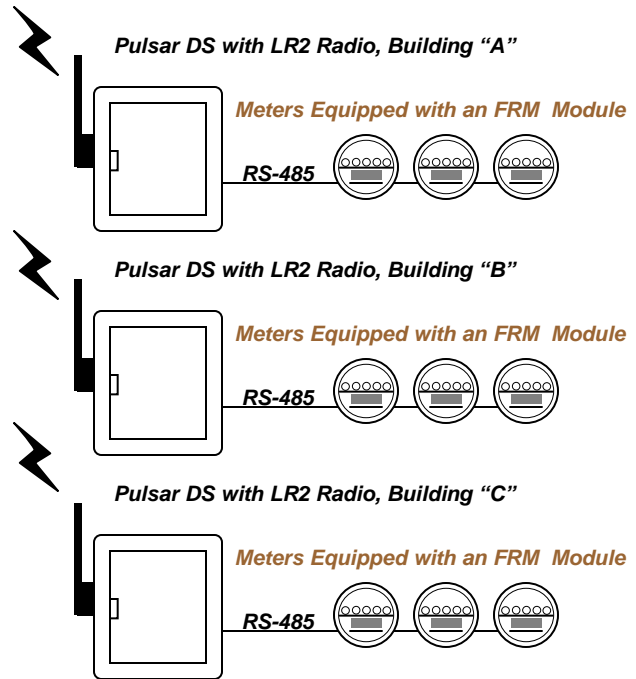
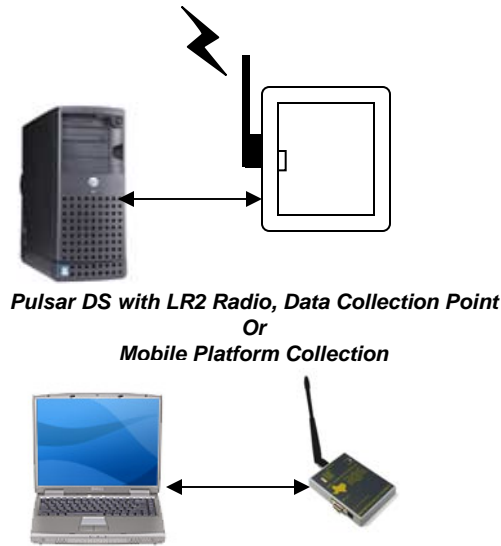
MICROTEX ELECTRONICS, INC.

# LR2 – Wireless Link

## 900Mhz Networkable Wireless Access link

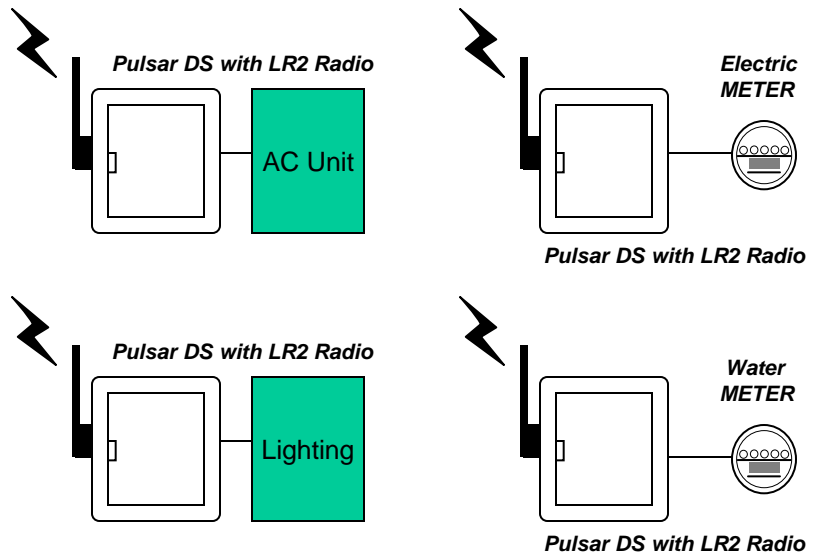
### Typical Applications:

Example #1: Data Collection: AMR Apartment Building



### Typical Applications:

Example #2: Energy Management



### For More Information:

Microtex Electronics, Inc.  
 3400 North Central Expressway, Ste 256  
 Richardson, TX, 75080 U.S.A.  
 Tel: (972) 479-1011  
 Fax: (972) 479-1015  
[www.microtexelectronics.com](http://www.microtexelectronics.com)

Proudly Made in the USA

