



MICROTEX ELECTRONICS, INC.

FRM – Fastreader Meter

Networkable Utility Meter Module



- For multi-family dwellings or multi-meter applications
- Reliable meter-reading data collection
- Easy connectivity and reliable operation
- Expandable Internet based data collection
- Unique Address for each communications module

Single Point, Multi-Meter Data Collection

The Microtex Electronic's **FRM Module** combined with the Microtex **LR2G Gateway**, allows for the collection of multiple electric meters into a single collection point. Each **LR2G Gateway** can accept the data from 256 individual meters or **FRS** submeter modules and report their meter-reading data collectively or individually..with true 2-way communications.

Uses Public Infrastructures - Wired or Wireless

The **LR2G** can operate on a simple telephone line to the data collection point or through it's 20-mile wireless network radio. This flexibility allows you to choose the system that is right for your application. Also, the **LR2G Gateway** can store reads locally, until you are ready to read them. The reads can also be read locally or remotely. In-vehicle or from a stationary collection point.

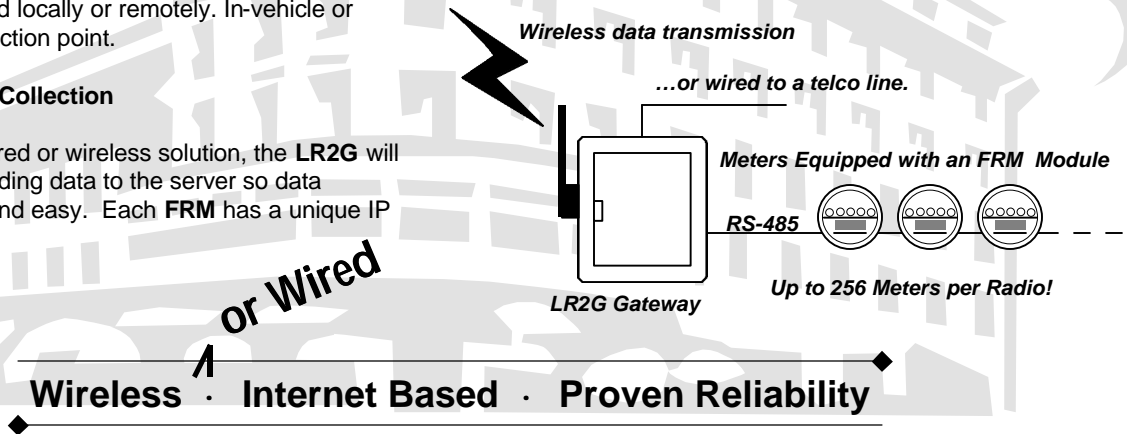
Internet Based Data Collection

Whether you use a wired or wireless solution, the **LR2G** will report all its meter reading data to the server so data collection is efficient and easy. Each **FRM** has a unique IP

Address, so each meter is easily identifiable by ID and addressable node ID. Collection can be made *ON DEMAND* or on a set schedule. Each **FRM** has its own nonvolatile battery-free memory so meter reading data is stored separately and securely.

Microtex Electronics and its Family of Wireless Communications Products:

Microtex Electronics, Inc. is a group of professionals that design, manufacture, and supply leading-edge technology to meet today and tomorrow's utility data collection needs. Microtex offers a broad range of off-the-shelf and customized solutions for meter data collection, Utility Control, telemetry applications, and much more. Microtex can supply a total system package, solutions for a legacy systems, or anything in between. Call Microtex today at **1-972-479-1011** to see how we can help you streamline and improve your data collection systems.



For More Information:

Microtex Electronics, INC.
3400 North Central Expressway, Ste 256
Richardson, TX 75080 U.S.A
www.microtexelectronics.com
TEL: (972) 479-1011
FAX: (972) 479-1015

Proudly Made in the USA





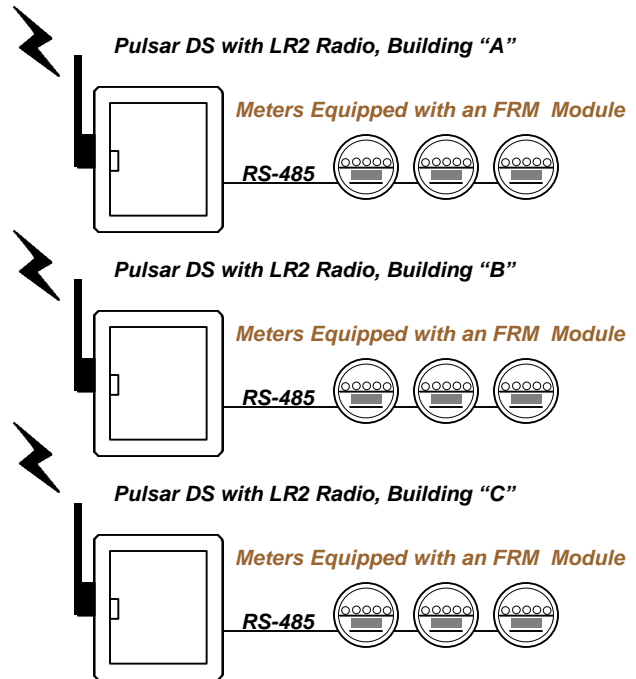
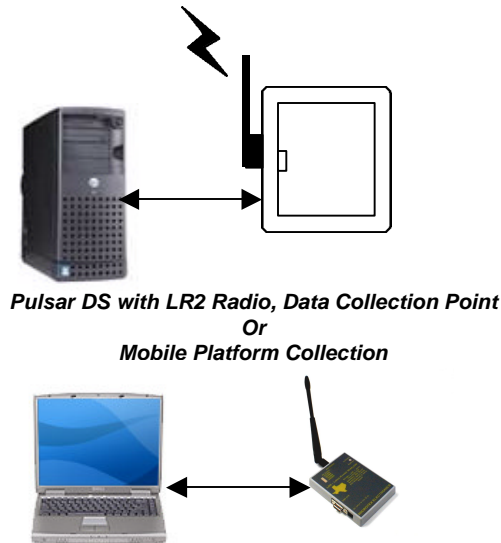
MICROTEX ELECTRONICS, INC.

FRM – Fastreader Meter

Networkable Utility Meter Module

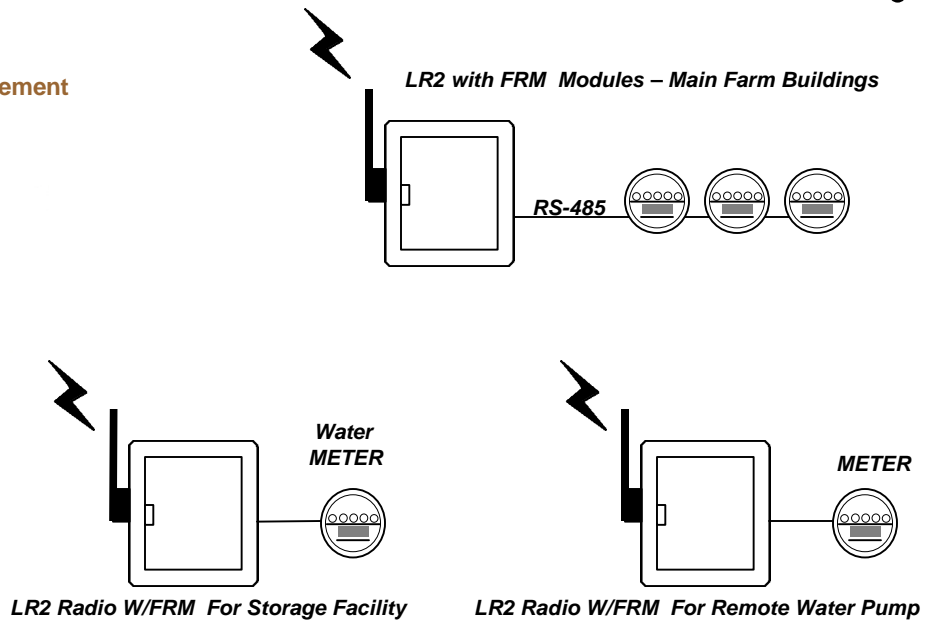
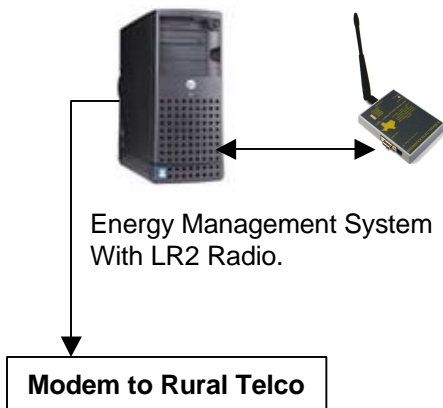
Typical Applications:

Example #1: Data Collection: AMR Apartment Building



Typical Applications:

Example #2: Rural Energy Management



For More Information:

Microtex Electronics, INC.
 3400 North Central Expressway, Ste 256
 Richardson, TX 75080 U.S.A
www.microtexelectronics.com
 TEL: (972) 479-1011
 FAX: (972) 479-1015

Proudly Made in the USA



©2004 Microtex Electronics, Inc.. All information, specifications, and descriptions contained herein are subject to change without prior notice.