

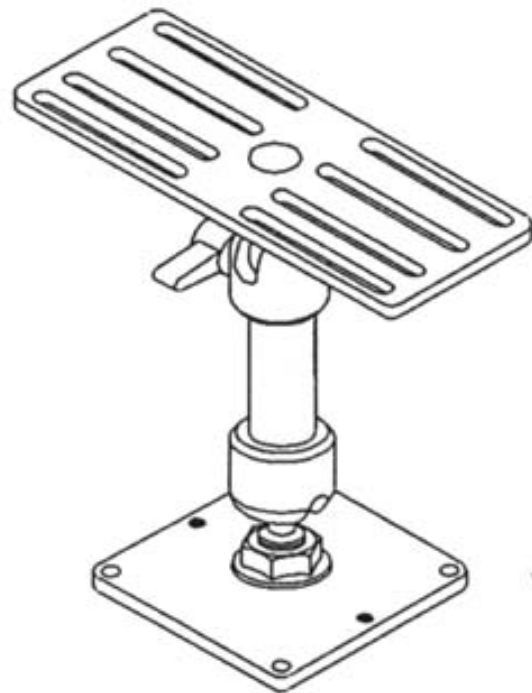


All-Metal Vehicle Laptop Mount

MICROTEX M-MOUNT

The **Microtex Electronics M-MOUNT** is the ideal solution for mounting laptops and portable equipment in utility trucks and utility service vehicles. This mount is universal and can accommodate different mounting patterns on varying pieces of equipment. Solid Steel construction assures the user of many years of reliable service. Unit is adjustable and allows for the laptop or handheld equipment to be adjusted to the optimum viewing angle.

- ✓ **All-Steel Construction**
- ✓ **Adjustable Joints**
- ✓ **Heavy-Duty Tighteners**
- ✓ **Universal Mount Accomodates 4" centers and any laptop or portable on the market**
- ✓ **Powdercoat Surfaced Black Finish**
- ✓ **Plenty of slots for adjusting odd-sized laptops**
- ✓ **Works with our DR15TS Ruggedized MIL-SPEC 810 LAPTOP**



Rugged • Easy to Install • Proven Reliability

For More Information:

Microtex Electronics, INC.
2929 N. Central Expy. Suite 250
Richardson, TX 75080 U.S.A
www.microtexelectronics.com
TEL: (972) 479-1011
FAX: (972) 479-1015

Proudly Made in the USA

