



MICROTEX ELECTRONICS, INC.

LR2 – Wireless Link

900Mhz Networkable Wireless Access link



- Small, User-Friendly Package
- Reliable Wireless Technology
- Works on Free 900Mhz ISM Band
- Programmable 0 to 20 Mile Range
- Unique IP Address for each device
- True, Two-way communications



Data Collection From Where You Need It

The Microtex Electronics **LR2 Radio Module** is an economical, small packaged wireless transceiver that allows the remote collection of virtually any type of data. The **LR2** is a two-way communication device that allows on-demand transmission from wherever or whatever you need to collect data from. Imagine instantaneous data reads in less than 1 second!

Smart Technology for Reliable Data Transmission

The **LR2** utilizes *spread spectrum* technology to insure accurate and reliable data collection. Spread spectrum technology allows for interference-free transmission between the device and the collection point. It is not only reliable, but cost effective as well.

Operates on Free Public 900Mhz ISM Band

The **LR2** operates on Free Public 900Mhz ISM Band. **NO** data carrier service is required, **saving money** invested over time. The **LR2 Radio Module has user programmable output power**. So whether you need a fraction of a mile, or 20 miles, the range is up to you. Whether your needs are for small amounts of data to be transmitted intermittently or continuous streams of data, the **LR2** can efficiently handle the job reliably. Built in DES Encryption also insures that your data is safe.

Internet Based Data Collection

The **LR2** is true cable replacement product with its own unique *IP Address*. Data is collected via a wireless network and transferred to any collection point via the Internet. Smart Client – Server technology allows you to build small secure networks, or Large Distributed topologies. The data can be downloaded in any format to meet your needs.

Simplified Connectivity to Fit Your Needs

The **LR2 Radio Module** offers easy connection to any system. With a built in RS-232 port, the **LR2** easily and simply connects to whatever you need to monitor, collect data from, or communicate with.

Microtex and its Family of Wireless Communications Products

Microtex Electronics is a group of industry professionals that design, manufacture, and supply leading-edge technology to meet today and tomorrow's data collection needs. Microtex offers a broad range of off-the-shelf and customized solutions for meter data collection, Utility Control, telemetry applications, and much more. Microtex can supply the total system package, solutions for a legacy systems, and Systems Engineering. Call Microtex today to see how we can help you streamline and improve your data collection systems.

Wireless • IP Based • Proven Reliability

For More Information:

Microtex Electronics, INC.
2929 N. Central Expy. Suite 250
Richardson, TX 75080 U.S.A
www.microtexelectronics.com
TEL: (972) 479-1011
FAX: (972) 479-1015

Proudly Made in the USA





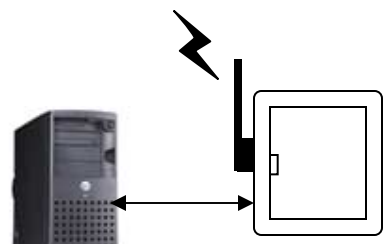
MICROTEX ELECTRONICS, INC.

LR2 – Wireless Link

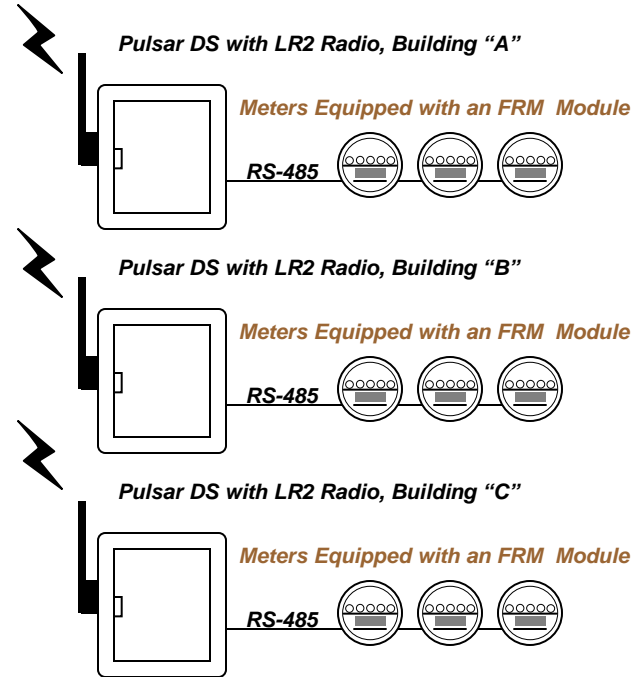
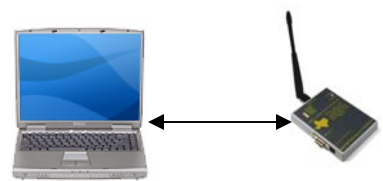
900Mhz Networkable Wireless Access link

Typical Applications:

Example #1: Data Collection: AMR Apartment Building

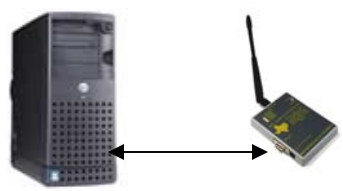


Pulsar DS with LR2 Radio, Data Collection Point Or Mobile Platform Collection

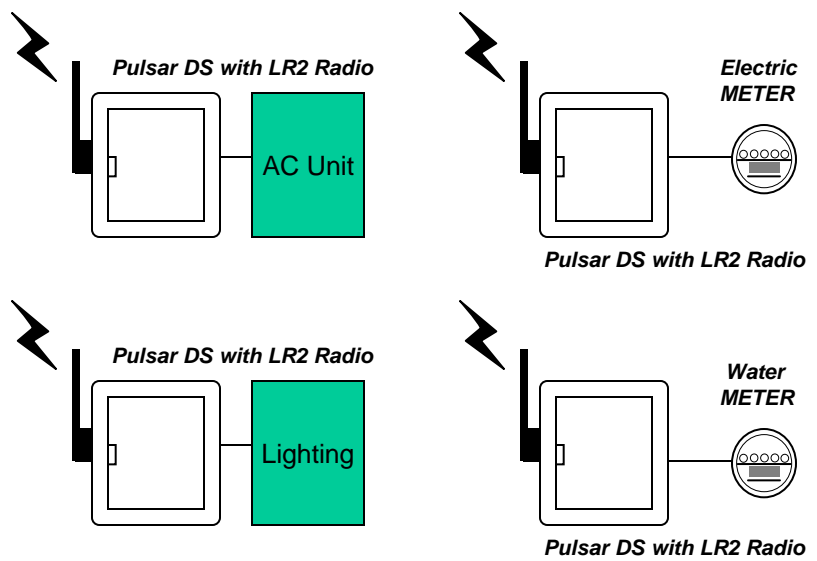


Typical Applications:

Example #2: Energy Management



Energy Management W/ LR2 Radio



For More Information:

Microtex Electronics, INC.
2929 N. Central Expy. Suite 250
Richardson, TX 75080 U.S.A
www.microtexelectronics.com
TEL: (972) 479-1011
FAX: (972) 479-1015

Proudly Made in the USA

